

Data sheet

Commercial Art.No.: 70.510.1653.3

Male insert BAS STF SB 16 2,5 50

Male insert revos basic, 16-poles, rated current: 16A, rated voltage: 500V, with tin-plated contacts



Commercial Art.No.	70.510.1653.3
EAN	4015573374904
Order Unit	10

Certificates / Approvals



Technical data

General

Inflammability class of insulation material acc. with UL94	V0
Color	Grey
Pollution degree	3
Modular version	No
Operating temperature range min.	-40 °C
Operating temperature range max.	120 °C

Connection Data

Connection type	screw connection
Number of poles	16
Plus switching contacts	0
Number of pole for rated current 2	0
Number of pole for rated current 3	0
Total number of poles (without ground contact)	16
Min. conductor diameter rigid (solid/stranded)	0.5 mm ²
Max. conductor diameter rigid (solid/stranded)	2.5 mm ²
Protective contact	yes

Technical Data UL/CSA

Rated voltage according to UL/CSA	600 V
Rated current according UL	16 A
Rated current according CSA	16 A
Min. conductor cross section flexible wire	0.5 mm ²
Max. conductor cross section flexible wire	2.5 mm ²
Conductor cross section flexible AWG wire	22-14 AWG

Model

With housing	No
--------------	----

Contacts

Contact material	Copper alloy
Contact resistance	≤ 1.5 mOhm
Wire strip length	7 mm

Screws head design/recomm. Torque

Mounting screws	H1/0.5-0.7 Nm
Clamping screws	H1/0.5-0.7 Nm
Ground conductor screws	H2/1.2-1.6 Nm

Technical Data DIN EN 61984

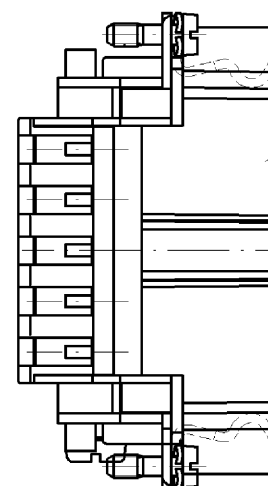
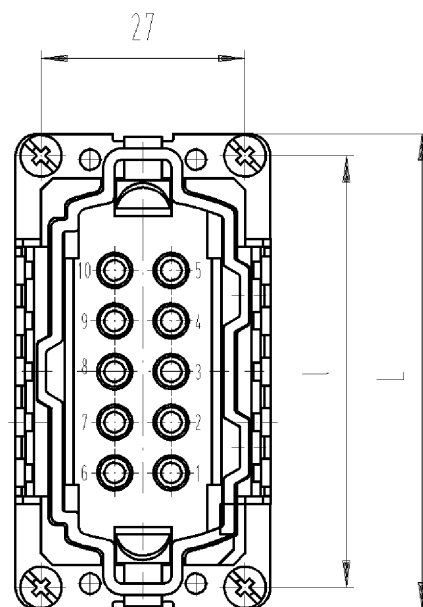
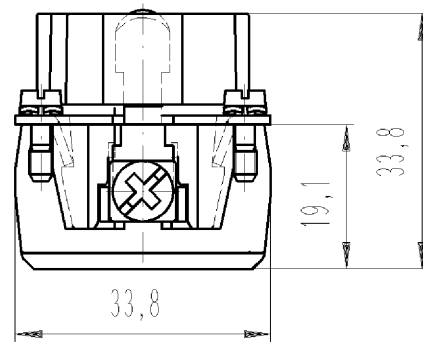
Nominal voltage	500 V
Rated voltage face/ground	500 V
Nominal current	16 A
Rated impulse voltage	6 kV

Classification

ECLASS 11	
ECLASS 8.1	27440205
ETIM 7.0	EC000438
ETIM 6.0	EC000438

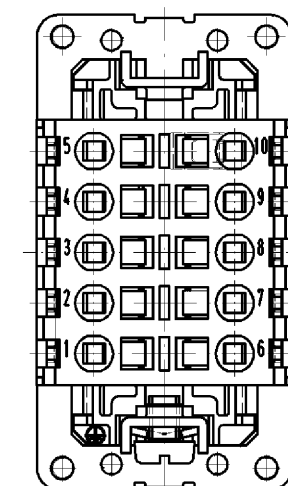
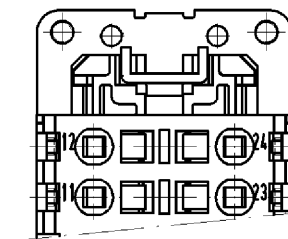
Product compliance

ROHS conformity status	Compliant/Exempted
ROHS exceptions	III-6(c)
REACH-SVHC conformity status	Duty-To-Declare
REACH-SVHC substances	Lead
REACH-SVHC CAS numbers	7439-92-1



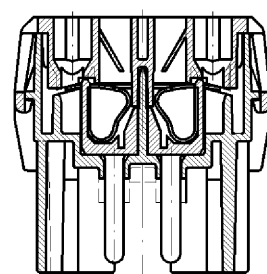
Aufdruck für 10-polig
print for 10-pole

Aufdruck für 6, 16 und 24-polig
print for 6, 16 and 24-pole



mit Federkraftanschluß
with spring connection

dargestellt: 10-polig
pictured: 10-pole



Ⓐ Weitere Daten siehe Katalog
further data see catalog

Teile - Nr. part no.	Typ type	L	l	Aufdruck, schwarz black printed
70.510.0653.0	BAS STF 6 2,5 50	49.8	44	70.510.0653
70.510.1053.0	BAS STF 10 2,5 50	62.8	57	70.510.1053
70.510.1653.0	BAS STF 16 2,5 50	83.3	77.5	70.510.1653
70.510.1653.3	BAS STF SB 16 2,5 50	83.3	77.5	70.510.1653.3
70.510.2453.0	BAS STF 24 2,5 50	109.8	104	70.510.2453
70.510.2453.3	BAS STF SB 24 2,5 50	109.8	104	70.510.2453.3

Montageanleitung in jeder Verpackung
assembly instruction in every package

Freitoleranz nach		CAD - Zeichnung, keine manuellen Änderungen			1. Verwendung: -		Bl.: 1 von 1		
	Maßstab	Werkstoff und Oberfläche:		2003	Tag	Name		Zeichnung Nr. 70.510.0653.0 01K a	Index
	1:1	Farbe: kieselgrau colour: pebble grey		Entworfen	09.07.	Bauer F.			
	Vol.	mm³	Oft.	mm²	Normgepr.	-		Ersatz für: -	
a	23.04.2004/	wieland		Benennung		STECKEREINSATZ PLUG INSERT 2,5qmm 500V 16A			
Buchstabe Datum / Blatt		Elektrische Verbindungen							
Änderung									

○ Diese Maße werden bei Abnahme besonders geprüft
○ Ausschließlich Prüfmaße
○ M11/A Rekanzeichnete Maße sind nur für interne Zwecke gültig

Weitergabe sowie Vervielfältigung dieses Dokuments, Verwertung und Mitteilung seines Inhalts sind verboten, soweit nicht ausdrücklich gestattet.
The reproduction, distribution and utilization of this document as well as the communication of its contents to others without express authorization is prohibited.